



Standard Features

- Ethernet Serial Data I/O, Modbus TCP or Laurel ASCII protocol
- 4-20 mA or 0-10V transmitter output, 16 bits, jumper selectable, isolated
- Dual 120 mA solid state relays for alarm or control, isolated
- Factory calibrated for 100Ω platinum, 10Ω copper and 120Ω nickel RTDs
- 2, 3 or 4-wire RTD connection for lead resistance compensation
- User selectable input span from entire RTD range down to 15.0°
- Analog output resolution 0.0015% of span (16 bits), accuracy ±0.02% of span
- Fast update rate to 50 or 60 per second
- Universal 85-264 Vac / 90-300 Vdc or 10-48 Vdc / 12-32 Vac power
- DIN rail mount housing only 22.5 mm wide, detachable screw-clamp connectors
- Power over Ethernet (PoE) jumper selectable with 10-48 Vdc supply

Description

The Laureate RTD temperature transmitter provides a linearized, highly accurate, stable and repeatable transmitter output for 100 ohm platinum, 10 ohm copper and 120 ohm nickel RTDs. Pt 100 platinum RTDs can have a DIN alpha of 0.00385 or ANSI alpha of 0.00392. The RTD type and temperature range, specified in °C or °F, are user-selectable. The temperature range can be as wide as the entire span of the RTD type or as narrow as 150 counts (such as 15.0°), limited only by considerations of electrical noise and digital filtering time constants.

Digital calibration of all RTD ranges is performed the factory, with calibration data stored in EEPROM on the signal conditioner board. This allows signal conditioner boards and ranges to be changed in the field with no need for recalibration.

RTD connections can be via 2, 3 or 4wires. With 3- and 4-wire connections, the transmitter automatically compensates for lead resistance of the sensor.

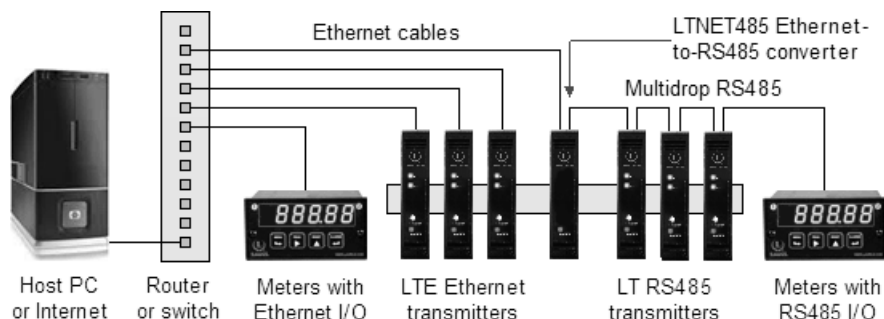
Fast read rate at up to 50 or 60 conversions per second while integrating the signal over a full power line cycle is provided by Concurrent Slope (Pat 5,262,780) analog-to-digital conversion. High read rate is ideal for peak or valley capture and for real-time computer interface and control.

Open sensor indication is standard and may be set up to indicate either upscale or downscale. RTD excitation is provided by the transmitter.

Standard features of Laureate LT transmitters include:

- **Ethernet I/O, isolated.** Supported protocols are Modbus RTU and ASCII (tunneled via Modbus TCP) and Laurel ASCII. The latter is simpler than the Modbus protocol and is recommended when all devices are Laureates. Note that RS232 or RS485 data I/O in lieu of Ethernet is provided by our LT Series transmitters.
- **4-20 mA, 0-20 mA or 0-10V analog transmitter output,** isolated, jumper-selectable and user scalable. All selections provide 16-bit (0.0015%) resolution of output span and 0.02% output accuracy of a reading from -99,999 to +99,999 counts that is also transmitted digitally. Output isolation from signal and power grounds eliminates potential ground loop problems. The supply can drive 20 mA into a 500 ohm (or lower) load for 10V compliance, or 10V into a 5K ohm (or higher) load for 2 mA compliance.
- **Dual solid state relays, isolated.** Available for local alarm or control. Rated 120 mA at 130 Vac or 180 Vdc.
- **Universal 85-264 Vac power.** Low-voltage 10-48 Vdc or 12-32 Vac power is optional.

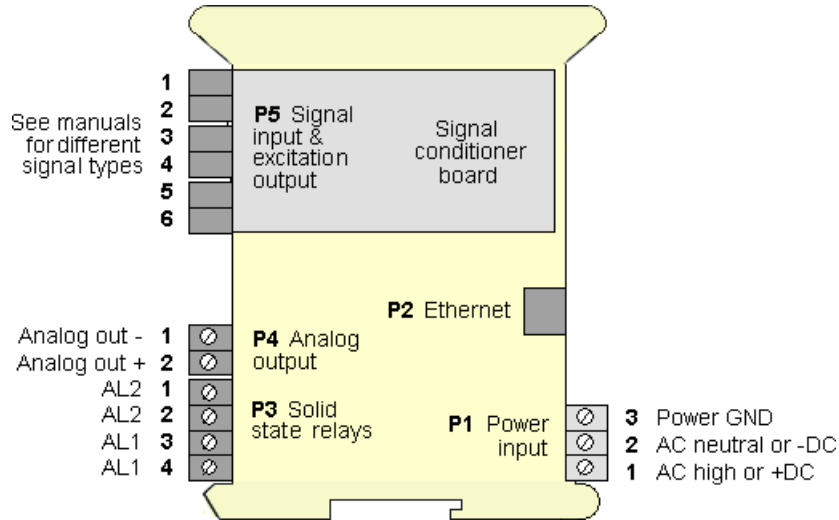
Discovery and configuration of Laureate Ethernet Nodes is easily achieved with Laurel's Node Manager Software, and the discovered transmitters can then be programmed using Laurel's Instrument Setup Software. Both softwares run on a PC under MS Windows and can be downloaded at no charge.



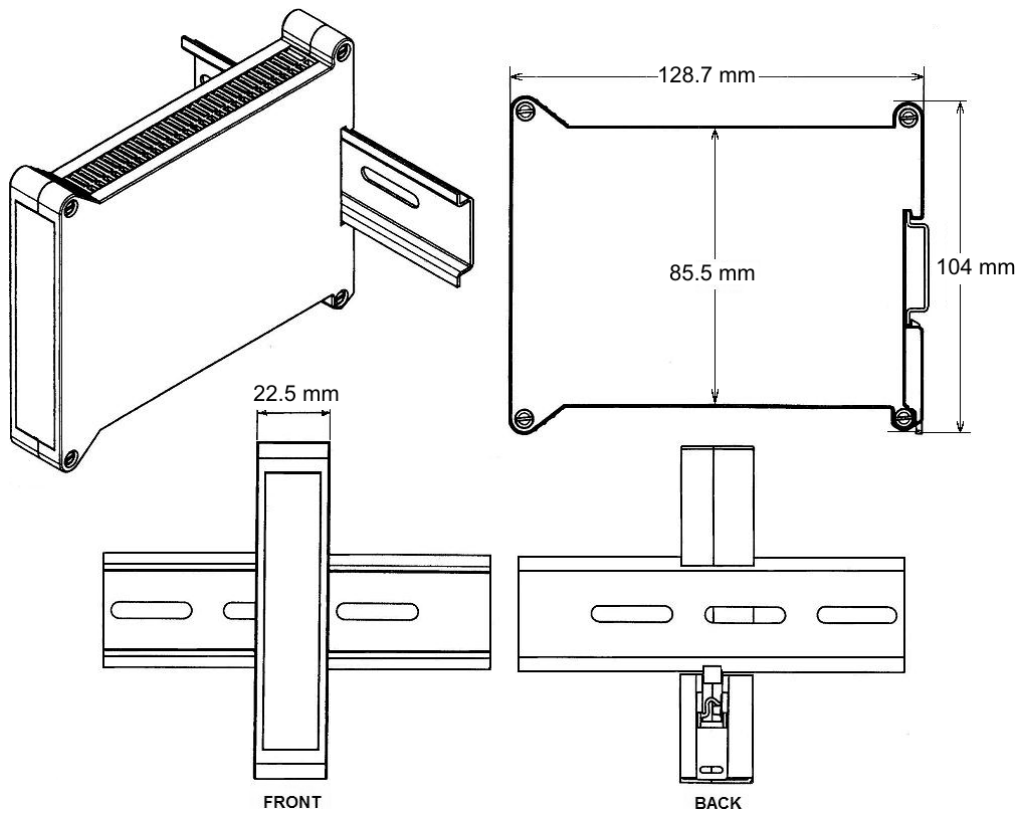
Specifications

RTD Metal	Alpha	R at 0°C	R at top of range	Excitation Current	Range	Conformity Error
Platinum	0.003850 (DIN)	100Ω	390.48Ω at 850°C	196 μA	-200°C to +850°C -328°F to +1562°F	±0.03°C ±0.05°F
Platinum	0.003902 (ANSI)	100Ω	394.36Ω at 850°C	196 μA	-200°C to +850°C -328°F to +1168°F	±0.04°C ±0.07°F
Nickel	0.00672	120Ω	380.31Ω at 260°C	196 μA	-80°C to +260°C -112°F to +500°F	±0.05°C ±0.09°F
Copper	0.00427	9.035Ω	19.116Ω at 260°C	5.0 mA	-97°C to +260°C -143°F to +500°F	±0.05°C ±0.09°F
RTD Input						
Calibration, Pt 100 DIN		Per IEC 751 (ITS-90)				
Calibration, Pt 100 ANSI		NIST Monograph 126				
Calibration, Ni 120		DIN 43760				
Max error at 25°C, Pt100		± 0.04°C (±0.07°F) ± 0.01% of reading				
Span tempco		± 0.003% of reading/°C				
Zero tempco		± 0.03 deg/deg				
Provision for calibration Connection		Multiplier of RTD resistance plus offset in degrees				
Overvoltage protection		2, 3 or 4-wire				
Open sensor indication		125 Vac				
Sensor lead resistance		0 mA or > 20mA output, user selectable				
Tempco per conductor		2-wire, 10 mdeg/Ω/deg up to 10Ω				
		3 & 4-wire, 10 mdeg/Ω/deg up to 100Ω				
Analog Output (standard)						
Output Levels		4-20 mA, 0-20 mA, 0-10 Vdc, -10 to +10Vdc (user selectable)				
Compliance, 4-20 mA		10V (0-500Ω m load)				
Compliance, 0-10V		2 mA (5 kΩ load)				
Output Resolution		16 bits (65,536 steps)				
Output Accuracy		±0.02% of output span				
Output Isolation		250V rms working, 2.3 kV rms per 1 minute test				
Step Response Time		50 ms				
Serial Communications (standard)						
Type		10/100Base-T Ethernet per IEEE 802.3				
Data Rates		300, 600, 1200, 2400, 4800, 9600, 19200 baud				
Output Isolation		250V rms working, 2.3 kV rms per 1 min test				
Serial Protocols		Modbus TCP, Modbus RTU, Modbus ASCII, Laurel ASCII				
Modbus Compliance		Modbus over Serial Line Specification V1.0 (2002)				
Digital Addresses		247 for Modbus, 31 for Custom ASCII				
Dual Relay Output (standard)						
Relay Type		Two solid state relays, SPST, normally open, Form A				
Load Rating		120 mA at 140 Vac or 180 Vdc				
Power Input						
Standard Power		85-264 Vac or 90-300 Vdc				
Low Power Option		10-48 Vdc or 12-32 Vac				
Power Frequency		DC or 47-63 Hz				
Power Isolation		250V rms working, 2.3 kV rms per 1 min test				
Power Consumption		2W typical, 3W with max excitation output				
Mechanical						
Dimensions		129 x 104 x 22.5 mm case				
Mounting		35 mm rail per DIN EN 50022				
Electrical Connections		Plug-in screw-clamp connectors				
Environmental						
Operating Temperature		0°C to 55°C				
Storage Temperature		-40°C to 85°C				
Relative Humidity		95% at 40°C, non-condensing				
Cooling Required		Mount transmitters with ventilation holes at top and bottom. Leave 6 mm (1/4") between transmitters, or force air with a fan.				

Pinout



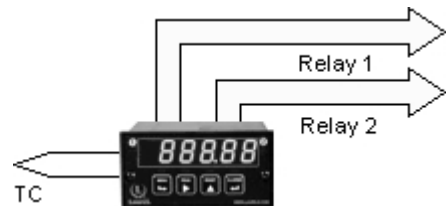
Mechanical



Operation as a Fast ON/OFF Controller or Supervisory Monitor

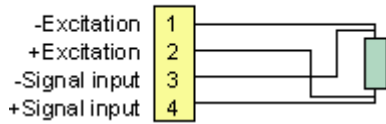
With the optional dual solid state relay output option, which has a typical response time of only 17 ms, Laureate temperature meters and transmitters can serve as extremely fast and accurate ON/OFF controllers for closed-loop temperature control. They can also serve as supervisory process monitors and provide alarms or shutoffs when processes exceed normal limits.

Multiple setpoint operating modes are individually selectable for each relay. Relay duty cycles and chatter can be minimized with programmable hysteresis and time delays. A band deviation operating mode can be selected for each relay, where an alarm is generated whenever the reading is a selected number of counts above or below the setpoint. The relay modes are non-latching.



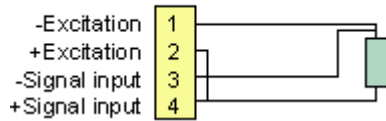
RTD Hookup

4-wire RTD



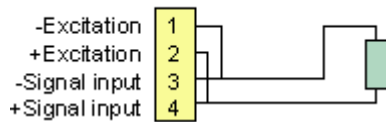
In **4-wire hookup**, different pairs of leads are used to apply the excitation current and sense the voltage drop across the RTD, so that the IR drop across the excitation leads is not a factor.

3-wire RTD



In **3-wire hookup**, the transmitter senses the combined voltage drop across the RTD plus two excitation leads. It also senses the voltage drop across one excitation lead, and then subtracts twice this voltage from the combined total. This technique effectively subtracts all lead resistance and compensates for ambient temperature changes if the two excitation leads are identical.

2-wire RTD



In **2-wire hookup**, the transmitter senses the combined voltage drop across the RTD and both lead wires. The voltage drop across the lead wires can be measured by shorting out the RTD during transmitter setup, and this voltage is then automatically subtracted from the combined total. However, changing resistance of the lead wires due to ambient temperature changes will not be compensated.



Ordering Guide

Create a model a model number in this format: **LTE20P385C**

Transmitter Type	LTE Laureate 4-20 mA & Ethernet Transmitter
Main Board	2 Standard Main Board
Power	0 Isolated 85-264 Vac or 90-300 Vdc 1 Isolated 12-32 Vac or 10-48 Vdc
RTD Input	<p>P385C Pt100 DIN RTD, -202°C to 850°C</p> <p>P385F Pt100 DIN RTD, -331°F to 1562°F</p> <p>P392C Pt100 ANSI RTD, -202°C to 631°C</p> <p>P392F Pt100 ANSI RTD, -331°F to 1168°F</p> <p>N672C Ni120 RTD, -100°C to +260°C</p> <p>N672F Ni120 RTD, -148°F to +500°F</p> <p>C427C Cu10 RTD, -100°C to +260°C</p> <p>C427F Cu10 RTD, -148°F to +500°F</p> <p>Note: The same signal conditioner board can be user configured for all RTD types listed and °C or °F, as well as for resistance measurement.</p>