



Features



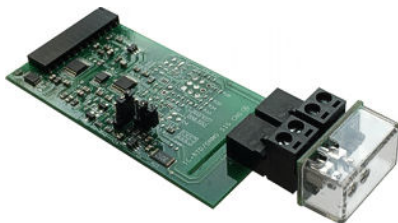
- Factory calibrated for thermocouple types J, K, T, E, N, R, S
- Entire range of each thermocouple in one scale
- Highly accurate and repeatable
- Selectable 1° or 0.1°, degrees Celsius, Fahrenheit, Kelvin or Rankin
- Up to 60 conversions per second
- Peak or valley display
- Universal AC power, 85-264 Vac
- 1/8 DIN case sealed to NEMA-4X from front panel
- Optional serial I/O: Ethernet, USB, RS232, RS485, Ethernet-to-RS485 converter
- Optional relay output: dual or quad relays, contact or solid state
- Optional isolated analog output: 4-20 mA, 0-20 mA, 0-10V, -10 to +10V
- Optional low voltage power: 10-48 Vdc or 12-32 Vac



Description

The Laureate thermocouple meter is factory calibrated for type J, K, T, E, N, R and S thermocouples for exceptional accuracy and repeatability. The entire span of each thermocouple type is presented in a single range. The thermocouple type, unit of measure (°C or °F), resolution (1° or 0.1°), and upscale or down-scale open sensor indication are selectable from the front panel or via the serial interface. Display in Kelvin or Rankin is selected by offsetting the Celsius or Fahrenheit ranges. Cold junction compensation is standard.

All ranges for all thermocouple types are digitally calibrated at the factory, with calibration factors stored in EEPROM on the signal conditioner board. This allows temperatures sensors and signal conditioner boards to be changed in the field without recalibrating the meter. A cold junction compensation (CJC) unit is calibrated as a system with the signal conditioner board. That unit encloses the thermocouple junctions and the junction temperature sensor in the same isothermal space so as to minimize cold junction compensation errors.



High read rates at up to 60 or 50 conversions per second while integrating the signal over a full power cycle are provided by Concurrent Slope (US Pat 5,262,780) analog-to-digital conversion. High read rates are ideal for peak or valley capture, real-time computer interface, and control. Peak and valley values are automatically captured. These may be displayed via a front panel pushbutton command or a control signal at the rear connector or be transmitted as serial data.

Digital filtering is selectable for electrically noisy environments, including a batch averaging filter and an adaptive moving average filter which provides a choice of time constants from 80 ms to 9.6 s. When a significant change in signal level occurs, that filter adapts by briefly switching to the shortest time to follow the change, then reverts back to the selected time constant. In a selectable Auto filter mode, the filter time constant is automatically selected based on detected signal noise.

Designed for system use. Optional plug-in boards include Ethernet and other serial communication boards, dual or quad relay boards, and an isolated analog output board. Laureates may be powered from 85-264 Vac or optionally from 12-32 Vac or 10-48 Vdc. The display is available with red or green LEDs. The 1/8 DIN case meets NEMA 4X (IP65) specifications from the front when panel mounted. Any setup functions and front panel keys can be locked out for simplified usage and security. All power and signal connections are via UL / VDE / CSA rated screw clamp plugs.

Specifications

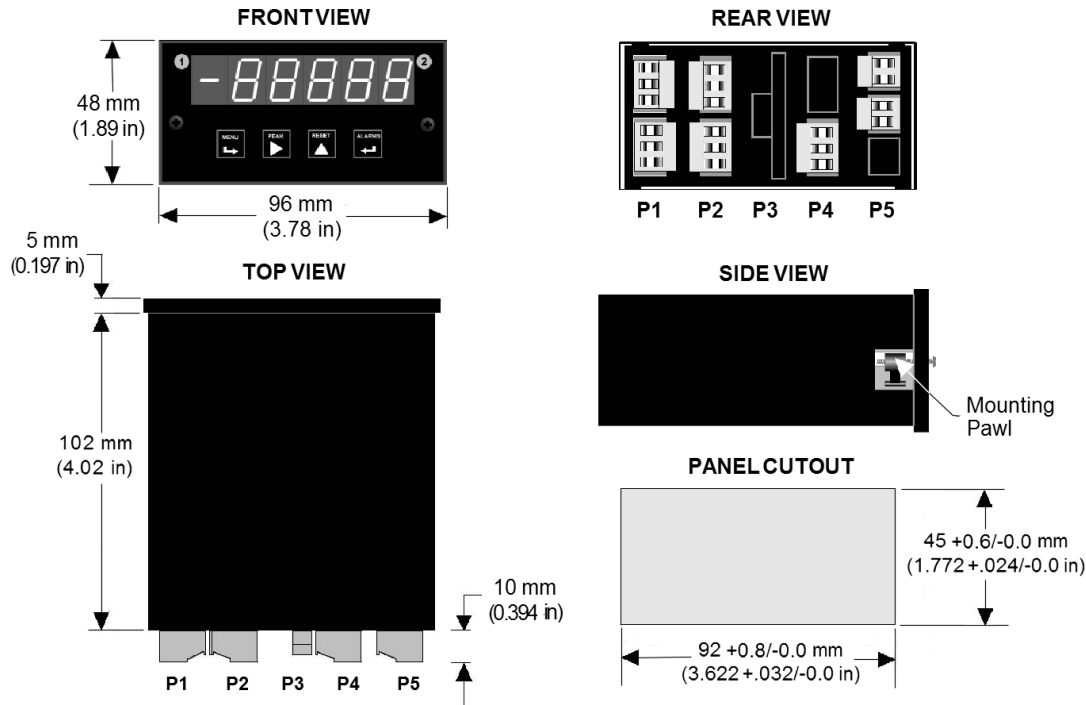
TC Type	Range	Conformity Error
J	-210°C to +760°C (-347°F to +1400°F)	±0.09°C (±0.16°F)
K	-244°C to +1372°C (-408°F to +2501°F)	±0.1°C (±0.17°F)
T	0°C to +400°C (32°F to 752°F) -257°C to 0°C (-430°F to +32°F)	±0.03°C (±0.05°F) ±0.2°C (±0.36°F)
E	-240°C to +1000°C (-400°F to +1830°F)	±0.18°C (±0.32°F)
N	-245°C to +1300°C (-410°F to +2370°F)	±0.10°C (±0.17°F)

R	-45°C to +1768°C (-49°F to +3214°F)	±0.17°C (±0.31°F)
S	-46°C to +1768°C (-51°F to +3213°F)	±0.12°C (±0.22°F)
Accuracy		
Calibration Overall Accuracy at 25°C Span Tempco Reference Junction Accuracy Span Tempco	NIST Monograph 125 (IPTS-68) ±0.01% of full span ± conformity error ±0.003% of reading/°C 0.5°C, 10°C to 40°C ±0.003% of reading/°C	
Electrical		
Input Resistance Input Current Max Lead Resistance Overvoltage Protection NMR at 50/60 Hz CMR, DC-60 Hz CMV, DC-60 Hz	1 GΩ 100 pA 1 kΩ max for rated accuracy 125 Vac 80 dB plus selectable digital filter 120 dB with 500 ohm imbalance 250 Vac from power and earth grounds	
A-to-D Conversion		
Technique A-to-D Rate Output Update Display Update	Concurrent Slope (Pat 5,262,780) 60/s at 60 Hz, 50/s at 50 Hz 56/s at 60 Hz, 47/s at 50 Hz 3.5/s at 60 Hz, 3/s at 50 Hz	
Display		
Readout Color Indicators Open Sensor Indication	5 digits, 7-segment, 14.2 mm (.56") Red or green LED Minus sign plus 4 red LED lamps for relays Flashes full-scale	
Power		
Voltage, Standard Voltage, Optional Power Frequency Power Consumption (typical, base meter) Power Isolation	85-264 Vac or 90-300 Vdc 12-32 Vac or 10-48 Vdc DC or 47-63 Hz 1.2W @ 120 Vac, 1.5W @ 240 Vac, 1.3W @ 10 Vdc, 1.4W @ 20 Vdc, 1.55W @ 30 Vdc, 1.8W @ 40 Vdc, 2.15W @ 48 Vdc 250V rms working, 2.3 kV rms per 1 min test	
Analog Output (optional)		
Output Levels Current Compliance Voltage Compliance Scaling Resolution Isolation	4-20 mA, 0-20 mA, 0-10V, -10 to +10V (jumper selectable) 2 mA at 10V (> 5 kΩ load) 12V at 20 mA (< 600Ω load) Zero and full scale adjustable from -99999 to +99999 16 bits (0.0015% of full scale) 250V rms working, 2.3 kV rms per 1 min test	
Relay Outputs (optional)		
Relay Types Current Ratings Output Common Isolation	2 Form C contact relays or 4 Form A contact relays (normally open) 2 or 4 Form A, AC/DC solid state relays (normally open) 8A at 250 Vac or 24 Vdc for contact relays 120 mA at 140 Vac or 180 Vdc for solid state relays Isolated common for dual relays or each pair of quad relays 250V rms working, 2.3 kV rms per 1 min test	
Serial Data I/O (optional)		
Board Selections Protocols Data Rates Digital Addresses Isolation	Ethernet, Ethernet-to-RS485 server, USB, USB-to-RS485 server, RS485 (dual RJ11), RS485 Modbus (dual RJ45), RS232. Modbus RTU, Modbus ASCII, Laurel ASCII protocol 300 to 19200 baud 247 (Modbus), 31 (Laurel ASCII), 250V rms working, 2.3 kV rms per 1 min test	



Environmental	
Operating Temperature	0°C to 55°C
Storage Temperature	-40°C to 85°C
Relative Humidity	95% at 40°C, non-condensing
Protection	NEMA-4X (IP-65) when panel mounted

Mechanical

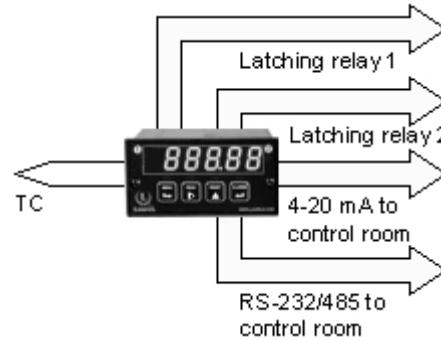


Application Examples

<p>Operation as a 4-20 mA Transmitter</p> <p>With the optional analog output board, Laureate temperature meters can serve as superb, isolated 4-20 mA transmitters. The analog output is scaled to the display, which is linearized to °C or °F and is exceptionally accurate. The analog output further tracks the high read rate of the meter, at up to 60 readings per second at 60 Hz power. Fast update rates are beneficial in many closed-loop and PID control applications.</p>	
<p>Operation as a Fast Controller</p> <p>With the dual contact relay or dual solid state relay output board options, Laureate temperature meters can serve as extremely fast and accurate ON/OFF controllers for closed-loop temperature control. Multiple setpoint operating modes are individually selectable for each relay, as explained in the dual-setpoint controller section. Relay duty cycles and chatter can be minimized with programmable hysteresis and time delays. High duty cycles and extremely fast response times are possible with the solid state relay, which has a typical response time of only 17 ms.</p>	

Operation as a Supervisory Monitor

By using the optional dual contact relay or dual solid state relay output options, Laureate temperature meters can monitor processes and provide alarms or shutoffs when these processes exceed normal limits. A band deviation operating mode can be selected for each relay, where an alarm is generated whenever the reading is a selected number of counts above or below the setpoint. Relay operation can be selected as latching or non-latching. When an alarm or shutdown condition is reached, a latched output will remain in the alarm condition until it is reset by a front panel pushbutton, via the serial interface, or via the rear connector.



Ordering Guide

Create a model number in this format: **L10000JC, IPC**

DPM Type	L Laureate Digital Panel Meter
Main Board	1 Standard main board, green LEDs 2 Standard main board, red LEDs
Power (isolated)	0 85-264 Vac 1 12-32 Vac or 10-48 Vdc
Relay Output (isolated)	0 None 1 Two 8A contact relays 2 Two 120 mA AC/DC solid state relays 3 Four 8A Contact Relays 4 Four 120 mA AC/DC solid state relays
Analog Output (isolated)	0 None 1 Isolated 4-20 mA, 0-20 mA, 0-10 V, -10 to +10V
Data Interface (isolated)	0 None 1 RS232 2 RS485 (dual RJ11 connectors) 4 RS485 (dual RJ45 connectors) 5 USB 6 USB-to-RS485 converter 7 Ethernet 8 Ethernet-to-RS485 converter
Signal Input (isolated)	Thermocouple Type JC Thermocouple Type J, -210°C to 760°C JF Thermocouple Type J, -347°F to 1400°F KC Thermocouple Type K, -347°C to 1372°C KF Thermocouple Type K, -408°F to 2501°F TC Thermocouple Type T, -257°C to 400°C TF Thermocouple Type T, -430°F to 752°F EC Thermocouple Type E, -240°C to 1000°C EF Thermocouple Type E, -400°F to 1830°F EN Thermocouple Type N, -245°C to 1300°C NF Thermocouple Type N, -410°F to 2370°F SC Thermocouple Type S, -46°C to 1768°C SF Thermocouple Type S, -51°F to 3214°F RC Thermocouple Type R, -45°C to 1768°C RF Thermocouple Type R, -49°F to 3213°F

Add-on Options	CBL01	RJ11-to-DB9 cable. RJ11 to DB9. Connects RS232 ports of meter and PC.
	CBL02	USB-to-DB9 adapter cable. Combination of CBL02 and CBL01 connects meter RS232 port to PC USB port.
	CBL03-1	6-wire data cable, RJ11 to RJ11, 1 ft. Used to daisy chain meters via RS485.
	CBL03-7	6-wire data cable, RJ11 to RJ11, 7 ft. Used to daisy chain meters via RS485.
	CBL05	USB cable, A-B. Connects USB ports of meter and PC.
	CBL06	USB to RS485 adapter cable, half duplex, RJ11 to USB. Connects meter RS485 port to PC USB port.
	CASE1	Benchtop laboratory case for one 1/8 DIN meter
	CASE2	Benchtop laboratory case for two 1/8 DIN meters
	IPC	Splash-proof cover
	BOX1	NEMA-4 Enclosure
	BOX2	NEMA-4 enclosure plus IPC
	BL	Blank Lens without button pads
	NL	Meter lens without button pads or Laurel logo

