

Instructions, Models CASE1 & CASE2 Benchtop Laboratory Cases

Product Description

Designed for benchtop and laboratory use, these enclosures provide an alternative to panel mounting of 1/8 DIN size meters when an instrument panel is not available. They provide a finished instrument look and improved electrical safety to what would otherwise be isolated meters on a workbench or shelf.

Model CASE1 provides a single 1/8 DIN 45 x 92 mm cutout, which is set to one side to leave unobstructed front panel space for user furnished indicator lights, knobs and switches. Model CASE2 provides two front panel cutouts, for example to display voltage and current on two separate meters.



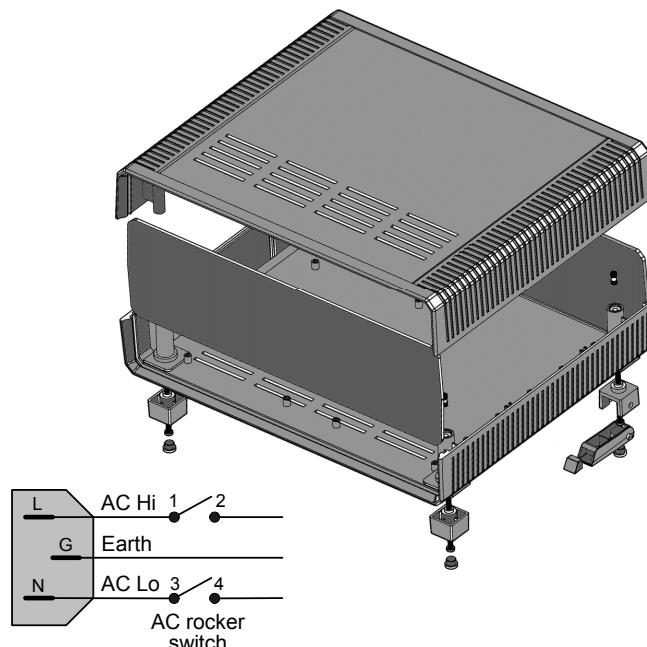
Installation

1. Install meter(s) in 1/8 DIN cutout(s) of front panel.
2. Install any other components in front panel.
3. Orient rear panel so that cutout for power inlet is at bottom left or bottom right of case.
4. Make opening(s) in rear panel for signal wiring. These can be drilled holes or a rectangular cutout at bottom edge. Or simply use case without a rear panel by wiring directly to meter(s).
5. Press power inlet into rear panel so that switch opening is toward outer edge of case for easy access to switch.
6. Press switch into power inlet. Orient switch so that the "I" symbol, which indicates "closed," is toward top.
7. Install any other components in rear panel.
8. Make electrical wiring inside case and test electrically.
9. Orient bottom clamshell half so that air circulation slits are toward rear, insert front and rear panels, and place top clamshell half so that air circulation slits are toward rear.
10. Using provided screws and a narrow shank Phillips screwdriver, attach two fixed rear feed and two folding front feet. The same screws hold clamshell halves together. Orient front feet so that they fold toward rear.
11. Insert rubber pads over screw openings in feet, thereby completing assembly.



Included Parts

1. Bottom clamshell half with external screw holes.
2. Top clamshell half without external screw holes.
3. Bag with 4 screws.
4. Bag with 4 mounting feet.
5. Bag with 4 rubber tips.
6. Rocker switch for power, double-pole.
7. Power inlet



Specifications

External, main body....80 x 260 x 22 mm (3.2" x 10.2" x 0.87")
Internal space.....69 x 253 x 199 mm (2.7" x 10" x 7.8")
Depth behind meter....85 mm (3.35") with Laureate meter
Front panel cutouts.....One 45 x 92 mm, Model CASE1
Two 45 x 92 mm, Model CASE2
Rear panel cutout.....27.5 x 38 mm for power inlet and switch

Case material.....ABS polycarbonate, black
Panel thickness.....2.4 mm (0.095"), front and rear panels
Tilt provision.....Fold-out front legs for 9° tilt
Cooling provision.....Air slits in top and bottom of case
Power connection.....IEC320 C14 AC inlet, 120 or 240Vac
Power switch.....Rocker switch, double -pole